
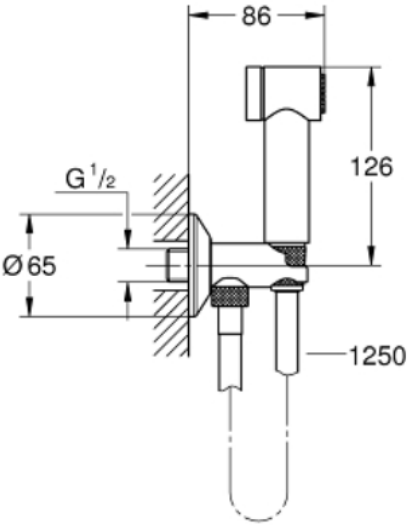

















| | | | | | | |
|----------|--|------|--|-----|-----------|--|
| PROJECT | | REF | | REV | ITEM CODE | |
| LOCATION | | DATE | | | PAGE | |

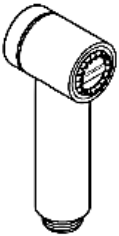
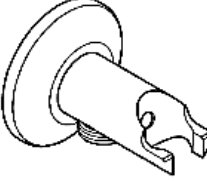
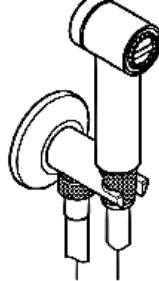
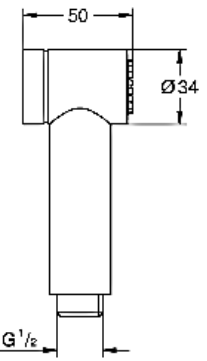
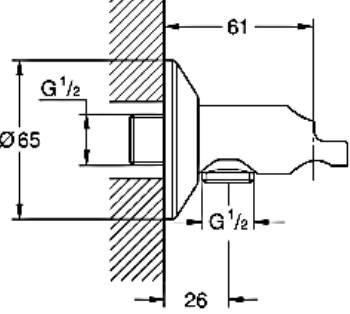
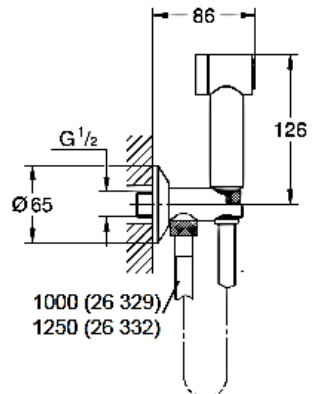
SANITARY WARE SPECIFICATION SHEET

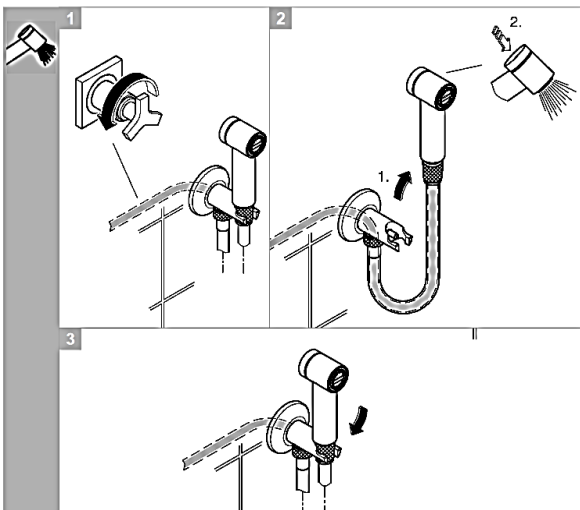
| | | |
|---|---|---|
| Item Descriptions | GROHE (Germany) "Sena Trigger Spray 35" Wall mounted chrome plated water hand spray with self-closing angle valve | Illustration/ Drawing |
| Model | 26332000 |   |
| Finish | Chrome Plated | |
| Manufacturer | GROHE Limited | |
| Supplier | Acme Sanitary Ware Co. Ltd Mr. Eric Wong/ Mr. Don Yuen | |
| Contact Tel/Fax | (852) 2388-7171 / (852) 2710-8012 | |
| E-mail Website | acme@acmesanitary.com.hk www.acmesanitary.com.hk | |
| <p>Sena Trigger Spray 35 Wall holder set with self-closing angle valve, 1 spray Consisting of: hand shower with trigger control (26 328) valve with integrated shower holder (26 333 000) Silverflex Longlife shower hose 1250 mm (26 335) GROHE StarLight chrome finish SpeedClean anti-limescale system Twistfree preventing the hose from twisting Min. recommended pressure 0.5 bar Please refer to local norms regarding installation.</p> | | |
|  | | |

Note:

* All information of the above is for the reference only. No prior notice is made if any changes.

| | | | |
|---|--|---|--|
|  bar | |  °C | |
|  max. 10 0,5 |  5 1  |  max. 70° |   60° |
|  |  <div style="border: 1px solid black; padding: 5px; display: inline-block;">  3 bar: 10 l/min </div> |  | |
| § | DIN 1988 | DIN EN 806 | DIN 1717 § |

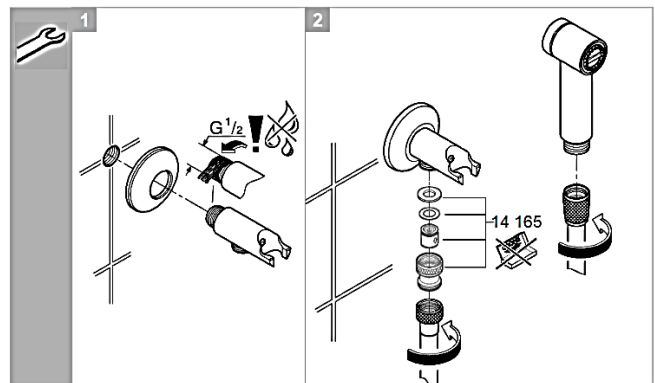
| | | |
|---|--|--|
| 26 328  | 26 333  | 26 329 26 332  |
|  <p>50 $\varnothing 34$ $G\frac{1}{2}$</p> |  <p>61 $G\frac{1}{2}$ $\varnothing 65$ $G\frac{1}{2}$ 26</p> |  <p>86 $G\frac{1}{2}$ $\varnothing 65$ 126 1000 (26 329)/ 1250 (26 332)</p> |



1. Attach the nozzle to the spray gun handle.

2. Connect the spray gun to the water supply.

3. Adjust the spray pattern.



1. Attach the nozzle to the spray gun handle.

2. Connect the spray gun to the water supply. Note: $G\frac{1}{2}$ connection.

3. Adjust the spray pattern. Note: 14 165.